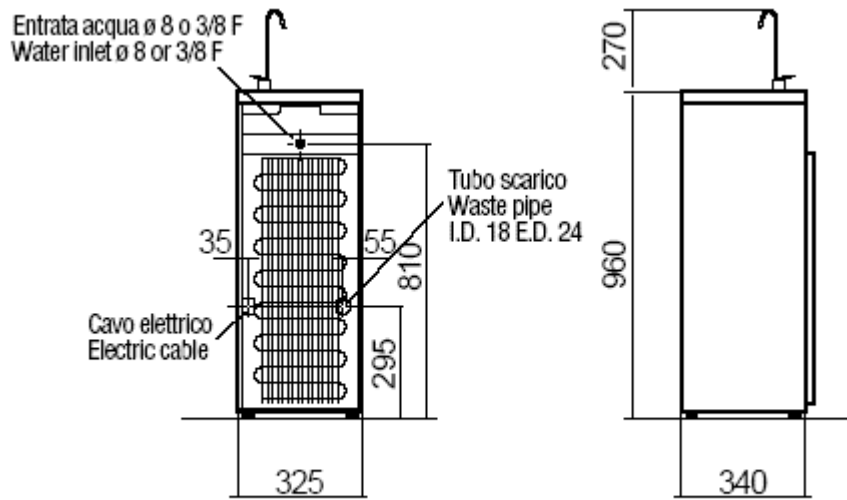
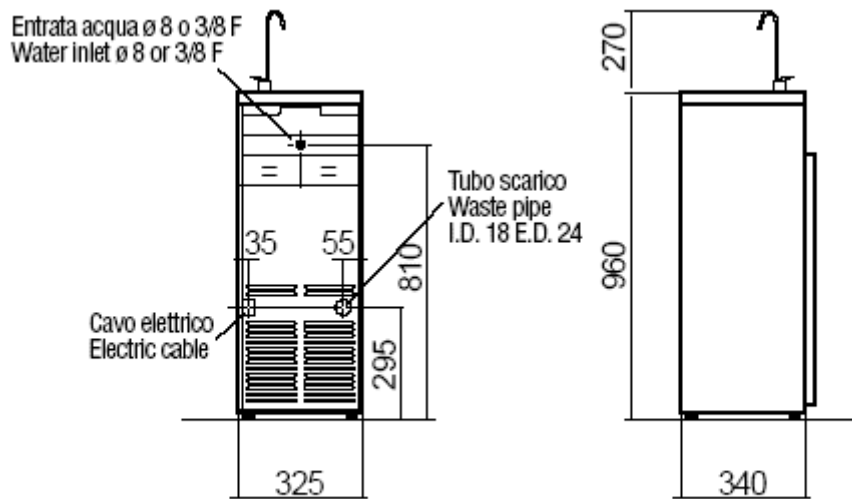


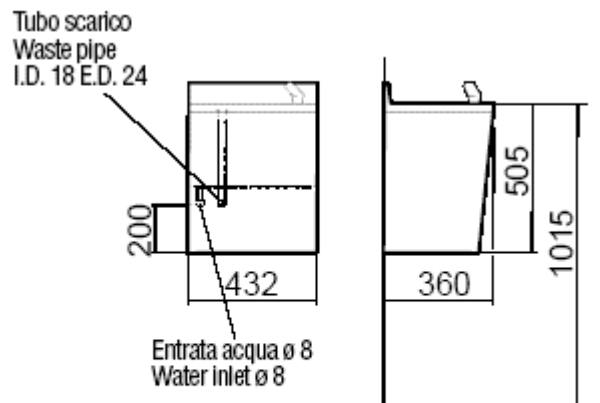
# RIVER



## RIVER 15



## RIVER 25 - 50



## RIVER UP